

TECE wall-mounted floor drain with PCI VG2014

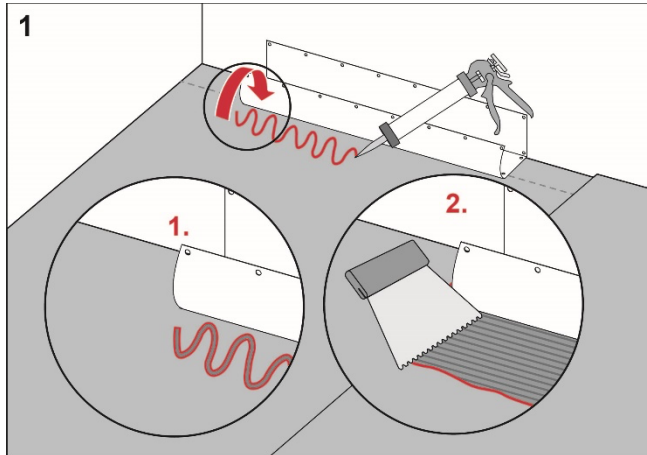
Execution

Install the TECE floor drain close to the wall in accordance with the instructions from TECE.

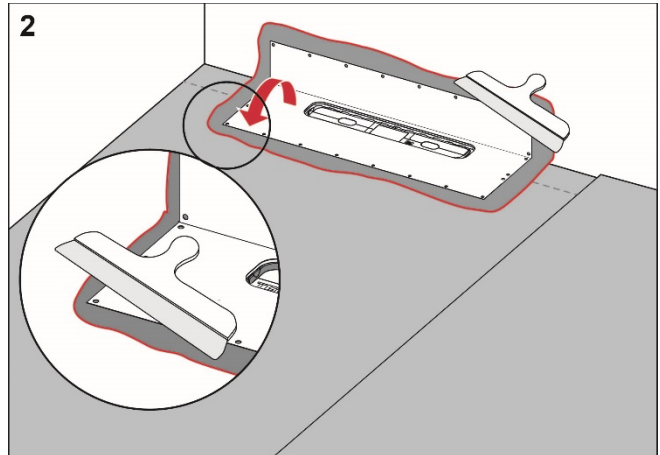
Preparation

Carefully check the factory-fitted drain collar. If it is damaged, the collar should be replaced.

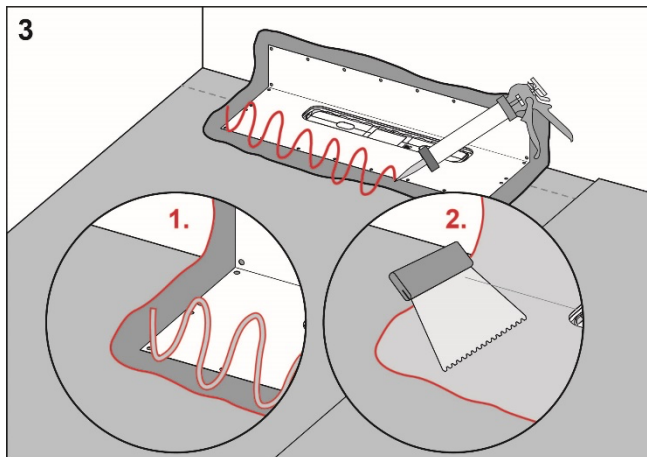
Procedure



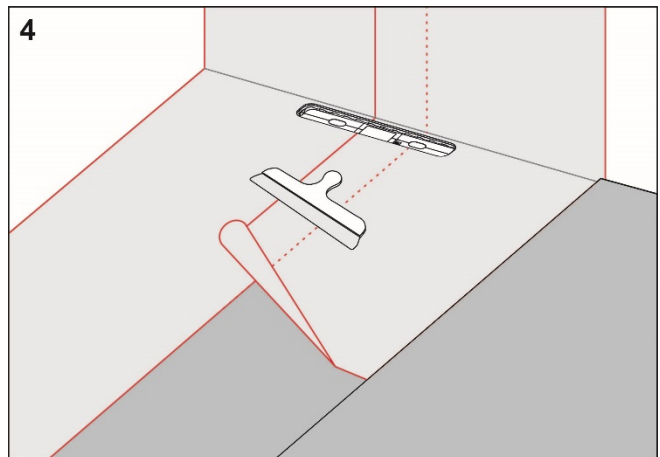
Apply PCI Pecitape Bond to the floor and wall areas which the drain collar will cover. Spread the adhesive with a fine-toothed adhesive spreader.



Unfold the collar on the floor and wall. Carefully smooth out the collar and ensure that no wrinkles or blisters occur.



Apply PCI Pecitape Bond on the drain collar and PCI Lastogum to the rest of the floor and wall area.



Install PCI Folie and overlap the drain collar by a minimum of 50 mm. Seal all seams with PCI Lastogum.

**RI
SE**

C900686
C900687

PCI
Für Bau-Profis

For more information about PCI
VG2014:
www.pci-sverige.se

Complies with the
Trade Rules of the Swedish Ceramic Tile
Council for Wet Areas
BBV 21:1