



**TECEbase toilet module with Base 320 cistern, installation height  
1120 mm**

**Article number: 9400440**

**DU 1: 1 pc.  
DU 2: 15 pc.  
DU 3: 90 pc.**

## Description:

Toilet module for single block assembly, suitable as a pre-wall module in front of solid walls and for installation in metal or wooden stud walls.

Base 320 cistern for operation from the front:

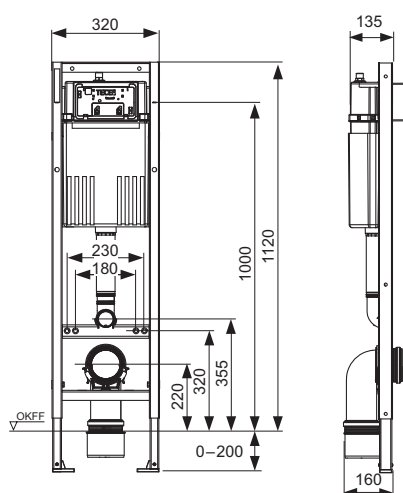
- Safety tank made of impact-resistant plastic, tested according to EN 14055
- Cistern completely pre-assembled
- Cistern connection with R 1/2" outer thread from above, compatible with quick-action adapters
- 3-way corner valve; shut-off valve with flush function when filling valve is fitted
- 7 litre tank volume; 6 litre preset standard flush volume; 4.5 litre flush volume adjustable at any time; 3 litre partial flush with dual-flush system; setting of a 4/2 litre flush volume optionally possible. Remaining volume can be used for immediate cleaning flush.
- Insulated against condensation water
- For TECE flush plates and toilet flush handle
- Can be used as a single or dual-flush cistern
- Low-noise hydraulic filling valve, acoustic group 1 according to DIN 4109

Module frame:

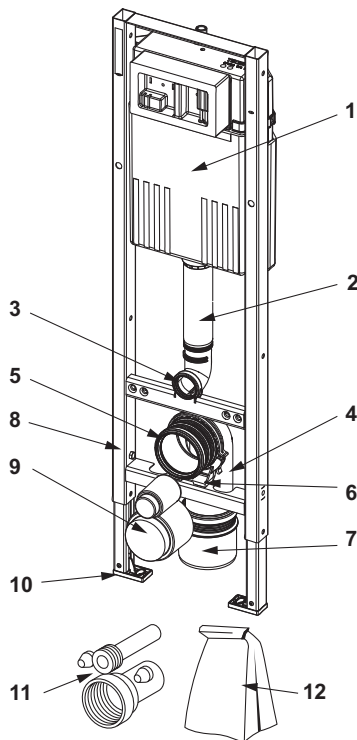
- self-supporting, powder-coated
- Two M 12 retaining bolts and nuts
- Toilet drain bend DN 90 incl. joint adapter DN 90/100 made of PP
- Joint adapter also suitable for horizontal installation
- Toilet connection set DN 90, including building protection plug
- Mounting set for solid walls

## Sales data:

Product name: TECEbase toilet module with Base 320 cistern, installation height 1120 mm  
 Commodity group: 910  
 Product group: 2009100010



Spare parts:



- |    |         |  |
|----|---------|--|
| 1  | 9820108 | Base 320 cistern   |
| 2  | 9820668 | Flush pipe for cisterns  |
| 3  | 9820015 | Flush pipe seal  |
| 4  | 9820134 | Toilet drain bend DN 90 (PP)   |
| 5  | 9820139 | Seal for drain bend DN 90  |
| 6  | 9820348 | Toilet drain bend holder complete, mounting on cross-beam at bottom (from 04/2017) |
| 7  | 9820136 | Adapter DN 90/DN 100 (PP)  |
| 8  | 9820447 | Foot brake with steel spring   |
| 9  | 9820312 | Bare wall toilet plug for flush pipe and drain bend                                |
| 10 | 9820239 | Module foot made of plastic (1 pc.)  |
| 11 | 9820057 | Connection set DN 90 for toilet  |
| 12 | 9820494 | By-pack  |