



TECEflex RazFaz compact accumulator-operated pressing tool

Article number: 720241

Dimension: 14-32

DU 1: 1 pc.

Description:

Light-weight and easy-to-handle pressing tool for dimensions from 14-32 mm. Permits rational working even in narrow mounting situations or pressing directly on the wall.

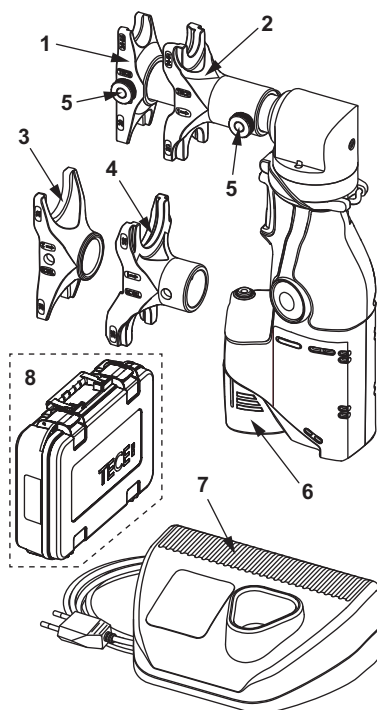
Consisting of:

- RazFaz cordless pressing tool
- Double pressing forks dim. 14/16-20 and 25-32
- Powerful lithium-ion battery
- Fast battery charger
- Robust tool case

Sales data:

Product name: TECEflex RazFaz compact accumulator-operated pressing tool incl. pressing fork dim. 14-32 in case
 Commodity group: 700
 Product group: 1007000060

Spare parts:



- | | | |
|---|--------|--|
| 1 | 720205 | RazFaz pressing forks 14/16-20 front |
| 2 | 720206 | RazFaz pressing forks 14/16-20 rear |
| 3 | 720207 | RazFaz pressing forks 25-32 front |
| 4 | 720208 | RazFaz pressing forks 25-32 rear |
| 5 | 720235 | Replacement bolt for TECEflex RazFaz battery pressing tool |
| 6 | 720237 | Li-Ion battery 2.0 Ah for RazFaz compact units |
| 7 | 720211 | Charger for RazFaz devices (from 2014, red tools) |
| 8 | 720236 | Tool case empty for RazFaz compact units |